

Technical Bulletin



Date: October, 2002
No: TDL-0001B-B
TCL-0001-B
Page 1 of 1

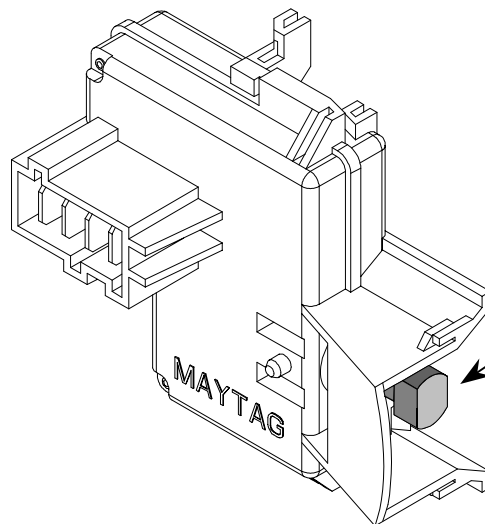
Type	Policy Letter √ Service Information
Attention	Service Managers √ Service and Parts Managers
Models	Performa "L" / Dependable Care, Atlantis
Issue	New non-adjustable lid switch.
Warranty	See specific product warranty for details.
Action	When replacing lid switch, or to eliminate lid switch adjustability issues. Order "Lid Switch Kit" 12001908. Kit contains new plunger (For Atlantis Only), switch, and instruction sheet.

Brand
Maytag

Product
Laundry Product

Conditions that could be interpreted as a lid switch problem.

- Lid "oil canning"
- Chipped porcelain where the lid contacts the switch (or cam for Atlantis). May require lid replacement
- Lid hinges or hinge balls either not inserted into the lid properly, or cracked.
- Hinge bushings mounted to the top may be cracked or worn (Atlantis only).
- Worn or broken cam on the back flange of the lid (Atlantis only).



Identify switch by "gray" actuator button.

