

# Technical Bulletin

# MAYTAG®

**Type** Policy Letter  
√ Service Information

**Date:** March 2006

**No:** TDL-0104A-B  
Page 1 of 1

**Attention** Service Managers  
√ Service and Parts Managers

**Models** ALW110RAW, ALW210RAW, ALW210RMC, ALW210RMC0, ALW210RMC1, ALW210RMW0, ALW210RMW1, ALW410DAW, ALW410RAW, ALW430RAC, ALW430RAW, ALW432RAW, ALW450QAC, ALW450QAC1, ALW450QAW, ALW450QAW1, ALW480DAC, ALW480DAW, ALW488RAC, ALW488RAW, ALW540RAC, ALW540RAW, ALW540RMC, ALW540RMC0, ALW540RMC1, ALW540RMW, ALW540RMW0, ALW540RMW1, ALW680RAC, ALW680RAW, ALW780QAC, ALW780QAC1, ALW780QAW, ALW780QAW1, ALW780QMC, ALW780QMC0, ALW780QMC1, ALW780QMW, ALW780QMW0, ALW780QMW1, ALW880QAC, ALW880QAC1, ALW880QAW, ALW880QAW1, ALW888QAC, ALW888QAW, ALW891SAW, ALW895SAC, ALW895SAW, ALW895SAW1, ALW980EAW, ALW990EAC, ALW990EAC1, ALW990EAW, ALW990EAW1, CW9500W, DLW330RAW, NAV2330AWW, NAV3330AWW, NAV3330EWW, NAV5800AWW, NAV6800AWW, NAV8800AWW, NAV8800EWW, SAV205DAWW, SAV2555AWW, SAV2655AWW, SAV3655AWW, SAV365AAWW, SAV365ZAWW, SAV3710AWW, SAV405DAWW, SAV405DEWW, SAV4655AWQ, SAV4655AWW, SAV4655EWQ, SAV4655EWW, SAV4710AWW, SAV505DAWW, SAV515DAWW, SAV515DEWW, SAV5300AWW, SAV5401AWW, SAV5600AWW, SAV5701AWW, SAV5710AWW, SAV571EEWW, SAV5910AWW, SAV5910EWW, SLW330RAW

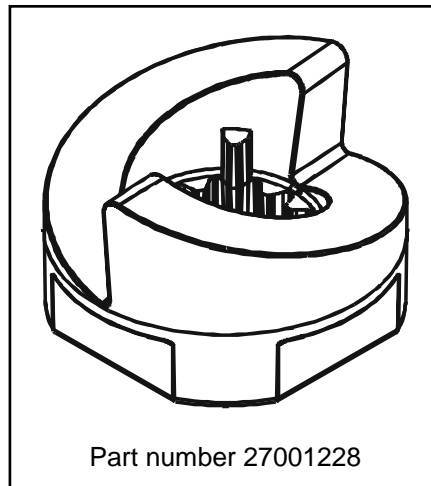
**Brand**  
Amana  
Crosley  
Maytag

**Product**  
Laundry

**Issue** Helix riding up the spline shaft of the transmission causes noise during agitation.

**Warranty** Standard product manufacturing warranty applies.

**Action** A modification has been made to the bottom of the helix to prevent the possibility of the helix riding up the spline shaft of the transmission causing noise between the washers and the brake during agitation. Replace helix with part number 27001228 to resolve noise.



In the past, the problem was reduced by putting wheel bearing or high temp non silicone grease on the steel washer below the brake.